



■ Digital switches series

Classification	Digital switches (Small)	Digital switches (Standard)	
		Relay pattern	Standard pattern
Model	AD105-I, B	AD604-I, B	AD605-I, B
Appearance			
Page	30	31	

Push button switches

Push button switches (Illuminated)

Selector switches

Double push button switches

Start push button switches

Emergency switches

Emergency switches (Illuminated)

Pilot lamps

Accessory

Magnetic buzzers

Piezo buzzers

Sockets

Digital switches

■ Specifications

Model	AD105-I, B	AD604-I, B	AD605-I, B
Operation capacity	Max.500gf (4.9N)	Max.550gf (5.39N)	
Load capacity	5-28VDC, 1mA~0.1A	5-28VDC, 50VAC 50/60Hz 1mA~0.1A	
Continuous carry current	Max. 100mA	Max. 1A	
Contact resistance	Max. 200mΩ		
Insulation resistance	Between non-connected terminals	Min. 100mΩ (at 250VDC for 1minute)	
	Between terminal and non-current carrying part	Min. 100mΩ (at 500VDC for 1minute)	
Dielectric strength	Between non-connected terminals	250VAC 50/60Hz For 1 minute	600VAC 50/60Hz For 1 minute
	Between terminal and non-current carrying part	500VAC 50/60Hz For 1 minute	1000VAC 50/60Hz For 1 minute
Vibration resistance	0.75mm amplitude at frequency of 10~55Hz (for 1minute) in each of x,y,z directions for 1 hours		
Shock resistance	500m/s (50G) in each of x,y,z directions for 3 times		
Durability	Electrical	More than 20,000 times	
	Mechanical	More than 30,000 times	
Ambient temperature	-10 ~ 50 °C (at non-freezing status)		
Storage temperature	-20 ~ 80 °C (at non-freezing status)		
Ambient humidity	45 ~ 85%RH		
Unit weight	1.3g	4.2g	3.8g

AD 1 0 5 - I
 ① ② ③ ④ ⑤

Classification	Ordering information					Description
	①	②	③	④	⑤	
Model	AD					AUTONICS DIGITAL SWITCH
Mounting size		1				16.5mm height
Display range			0			0~9
Pattern				5		Standard pattern
Case color					I	IVORY
					B	BLACK

※ Additional display range is ordered separately

● Digital switches(Small)



Model	AD105-I
	AD105-B

※ Color : I, B



- Space-saving design
- Operations more than 30000 times present excellent electrical life.

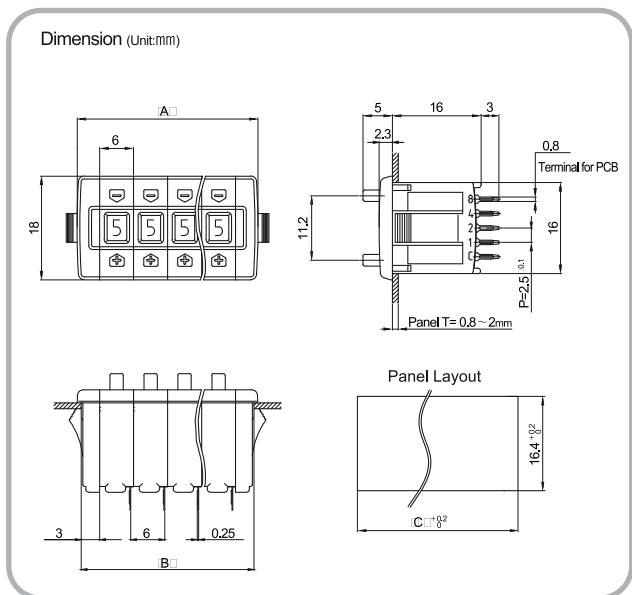
<Output code number>

Model	AD105-I AD105-B	COM("C") Contact condition				COM
		1	2	4	8	
Preset position	0					•
	1	•				•
	2		•			•
	3	•	•			•
	4			•		•
	5	•		•		•
	6		•	•		•
	7	•	•	•		•
	8				•	•
	9	•				•

Unit:mm

Number of Switches(n)	Size A (n×6+8)	Size B (n×6+6)	Size C
1	14	12	12.5
2	20	18	18.5
3	26	24	24.5
4	32	30	30.5
5	38	36	36.5
6	44	42	42.5
7	50	48	48.5
8	56	54	54.5
9	62	60	60.5
10	68	66	66.5

※ Include both side cover



AD 6 0 5 - I
 ① ② ③ ④ ⑤

Classification	Ordering information					Description
	①	②	③	④	⑤	
Model	AD					AUTONICS DIGITAL SWITCH
Mounting size		6				22.5mm height
Display range			0			0~9
Pattern				4		Relay pattern
				5		Standard pattern
Case color					I	IVORY
					B	BLACK

※ Additional display range is ordered separately

● Digital switches(Standard)



Model	AD604-I	AD605-I
	AD604-B	AD605-B

※ Color : I, B



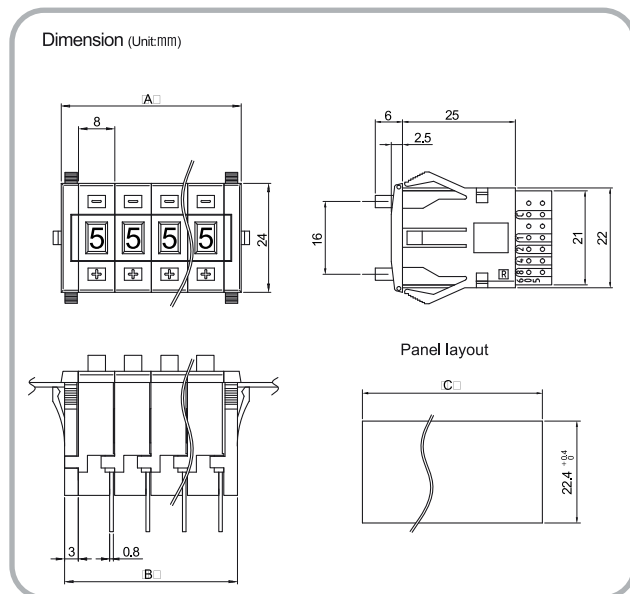
- One Touch mounting type for easy installation.
- Visibility is increased by using wide display part

AD604 Series	AD605 Series
Relay pattern	Standard pattern

<Output code number>

Model	AD604-I AD604-B AD605-I AD605-B	COM(“C”) Contact condition				C O M	Number of Switches(n)	Size A (n×8+8)	Size B (n×8+6)	Size C
		1	2	4	8					
Preset position	0					•	1	16	14	14.5
	1	•				•	2	24	22	22.5
	2		•			•	3	32	30	30.5
	3	•	•			•	4	40	38	38.5
	4			•		•	5	48	46	46.5
	5	•			•	•	6	56	54	54.5
	6		•	•		•	7	64	62	62.5
	7	•	•	•		•	8	72	70	70.5
	8				•	•	9	80	78	78.5
	9	•				•	10	88	86	86.5

※ Include both side cover



Push Button Switches

Push Button Switches (Illuminated)

Selector Switches

DOUBLE Push Button Switches

Start Push Button Switches

Emergency Switches

Emergency Switches (Illuminated)

Pilot Lamps

Accessory

Magnetic Buzzers

Piezo Buzzers

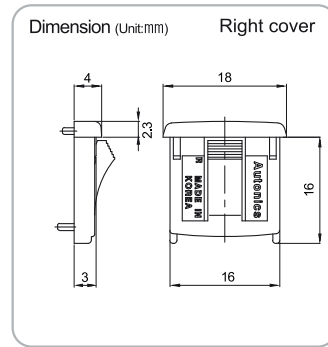
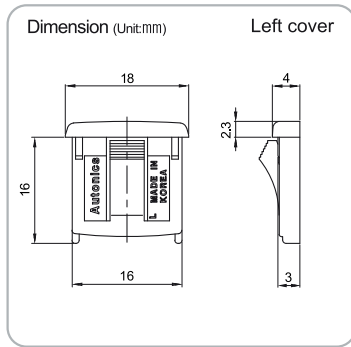
Sockets

Digital Switches

● Digital switches accessory

AD105 - L I
 ① ② ③

Classification	Ordering information			Description
	①	-	② ③	
Model	AD105			AD105 Series
Cover			L	Left cover
			R	Right cover
Color			I	IVORY
			B	BLACK



AD605 - L I
 ① ② ③

Classification	Ordering information			Description
	①	-	② ③	
Model	AD605			AD605 Series
Cover			L	Left cover
			R	Right cover
Color			I	IVORY
			B	BLACK

